

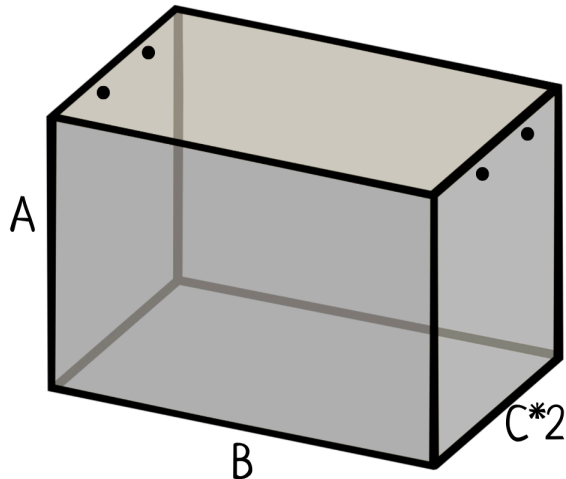


Totes to Baskets Worksheet

ALL MEASUREMENTS ARE IN INCHES

Draw a rectangle around your bag design. Width = _____ Height = _____

Add seam allowance i.e. 1" on both. New width = _____(B) New Height = _____(A)



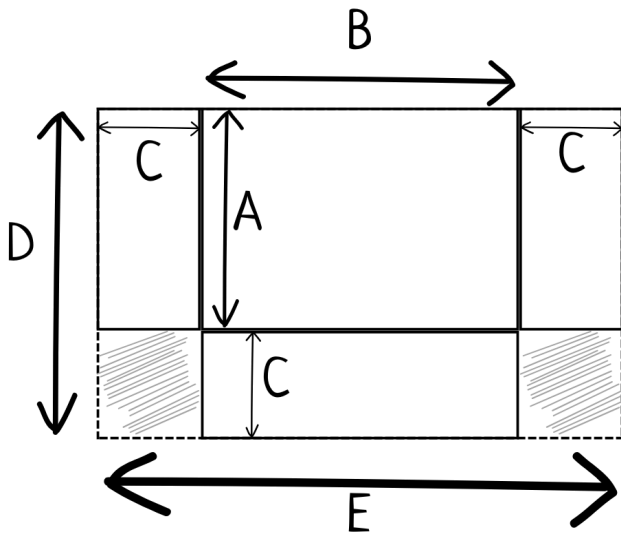
C = half width of basket, usually roughly $(B/2)+0.5$ ".

Your C = _____

D = A+C = _____

E = B+C+C = _____

- Draw one rectangle DxE on your tote.
- Pin layers together.
- Cut out two layers.
- Draw one rectangle DxE on your folded lining fabric.
- Cut out two pieces.
- Lay tote bag pieces and lining fabric on top of each other.
- Draw CxC square in the bottom right and left corners.
- Cut out through all four layers



Bea on Instagram



Bea's Newsletter



Bea's Workshops

